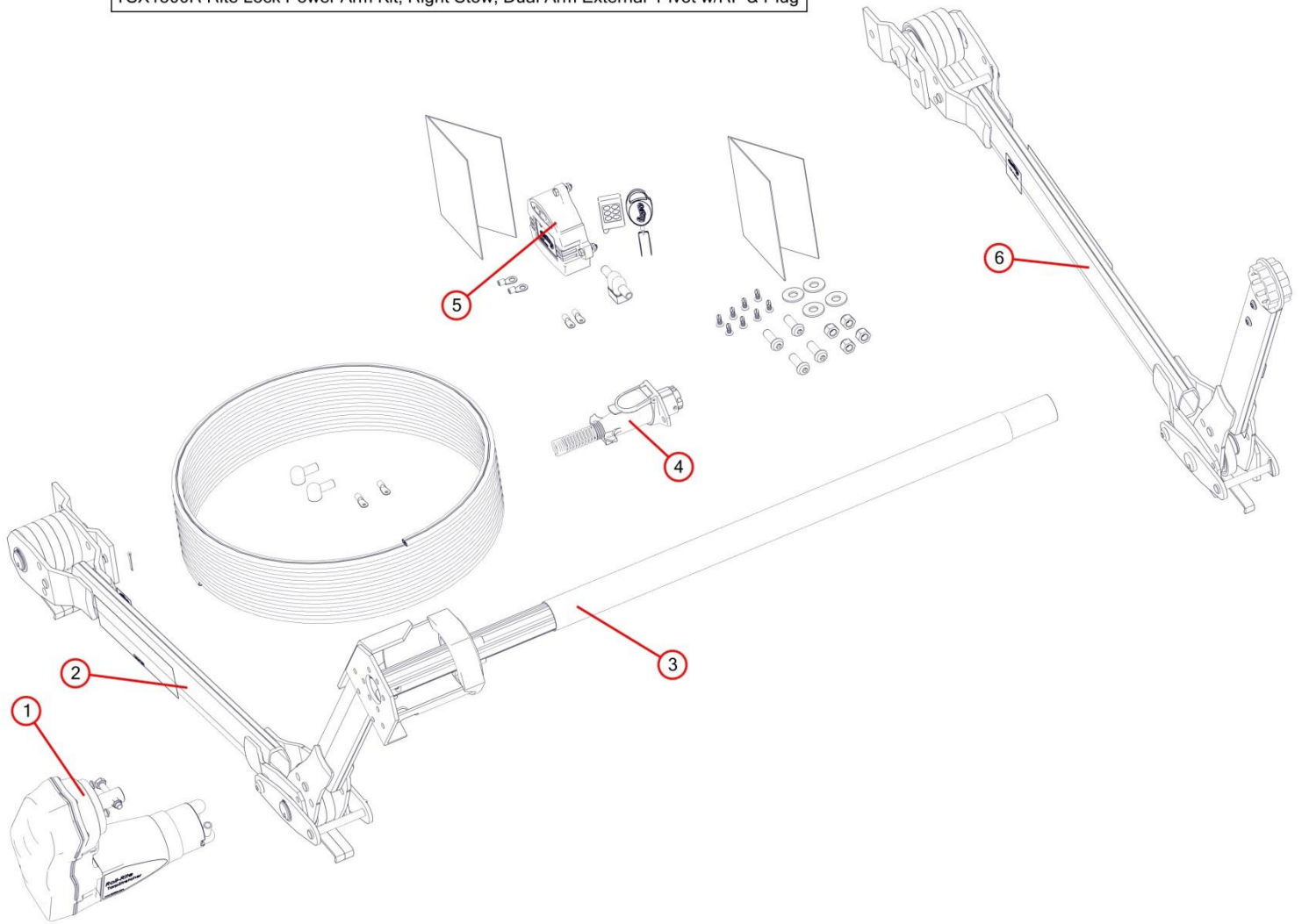
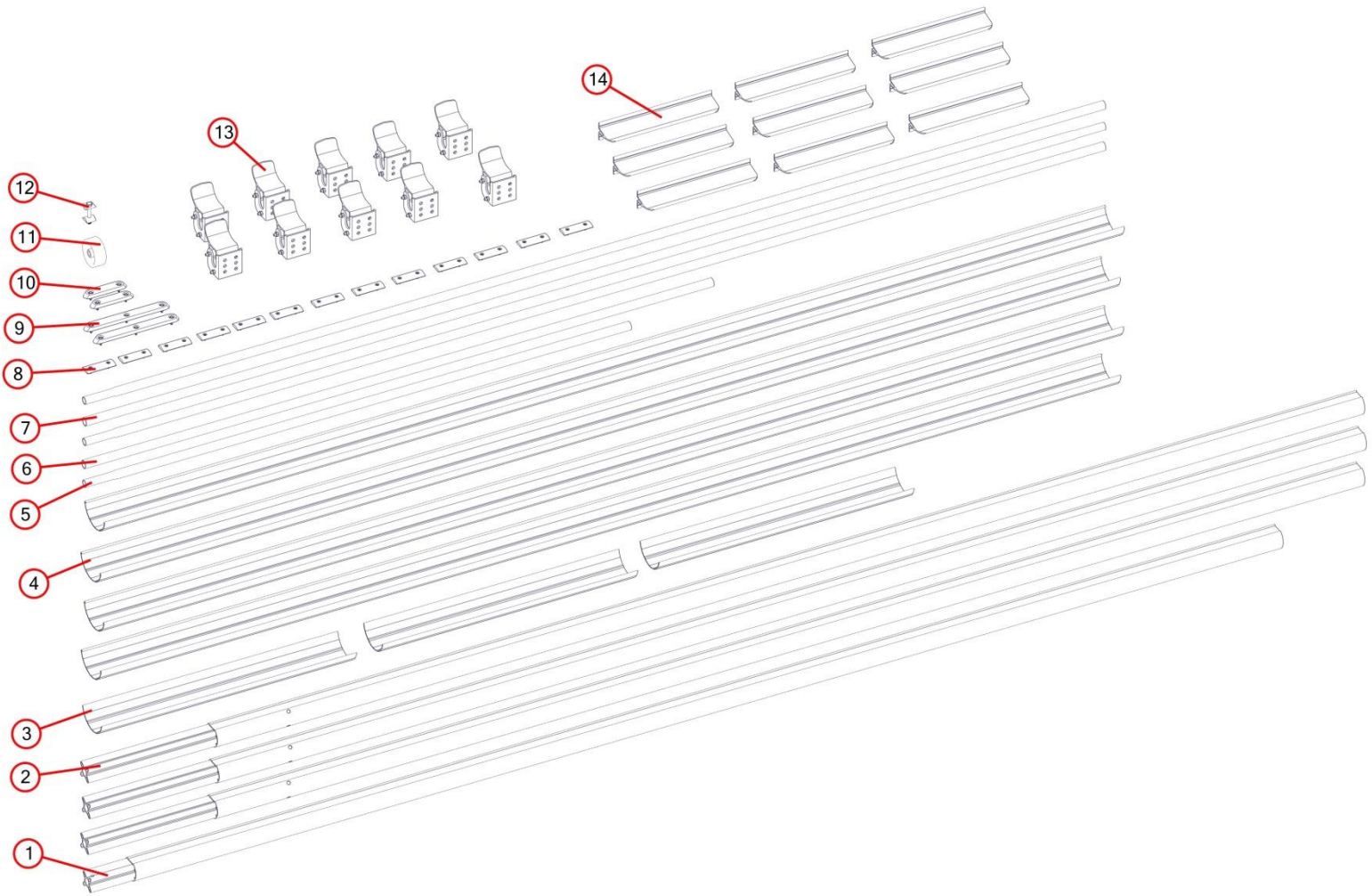


TSX1500R Rite Lock Power Arm Kit, Right Stow, Dual Arm External Pivot w/RF & Plug



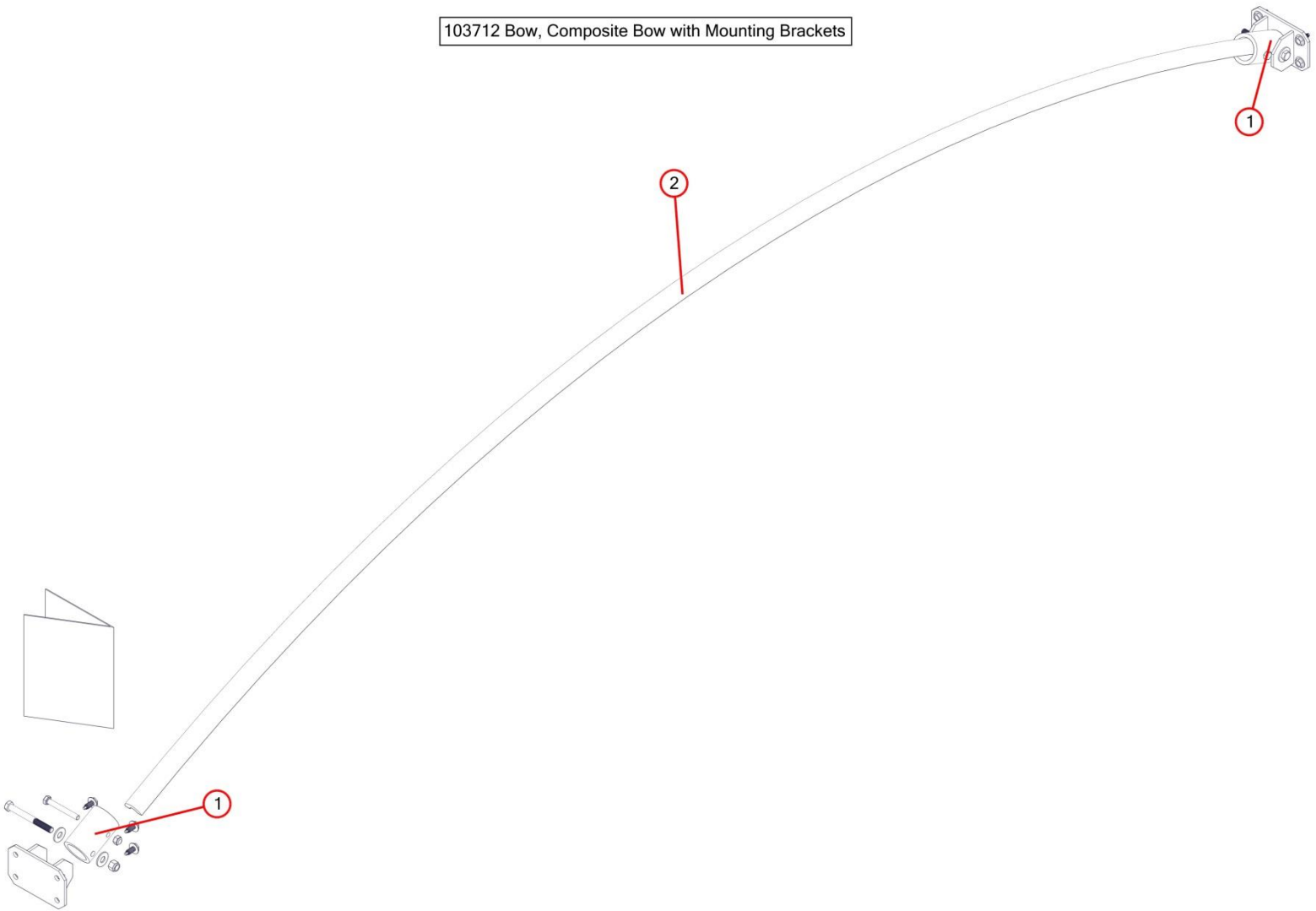
Bom ID	Part#	Description	qty
Ref	101578	Rite Lock Power Arm Kit, Dual Arm External Pivot w/RF & Plug (No Mts) SN:TS	1
1	10210	Gear Motor, Tarp Stretcher w/5 Year Warranty 24V - S/N: TS	1
2	101267	Pivot, Assy Front Arm for 38206 Power Kits	1
3	36940	Axle Adapter for 2" Axle, 21" Extrusion Tube 2" OD - 1"ID	1
4	12760	Plug Set, Sureflex Dual Conductor	1
5	102615	Electric Kit, Rite Touch With 6 gauge with TSCM and RF 24 volt	1
6	101268	Pivot, Assembled Rear Arm for 38206 Rite-Lock Power Arm Kit	1

102563 Axle Kit, 3" W/Ridge Pole for 41-48' Trailers



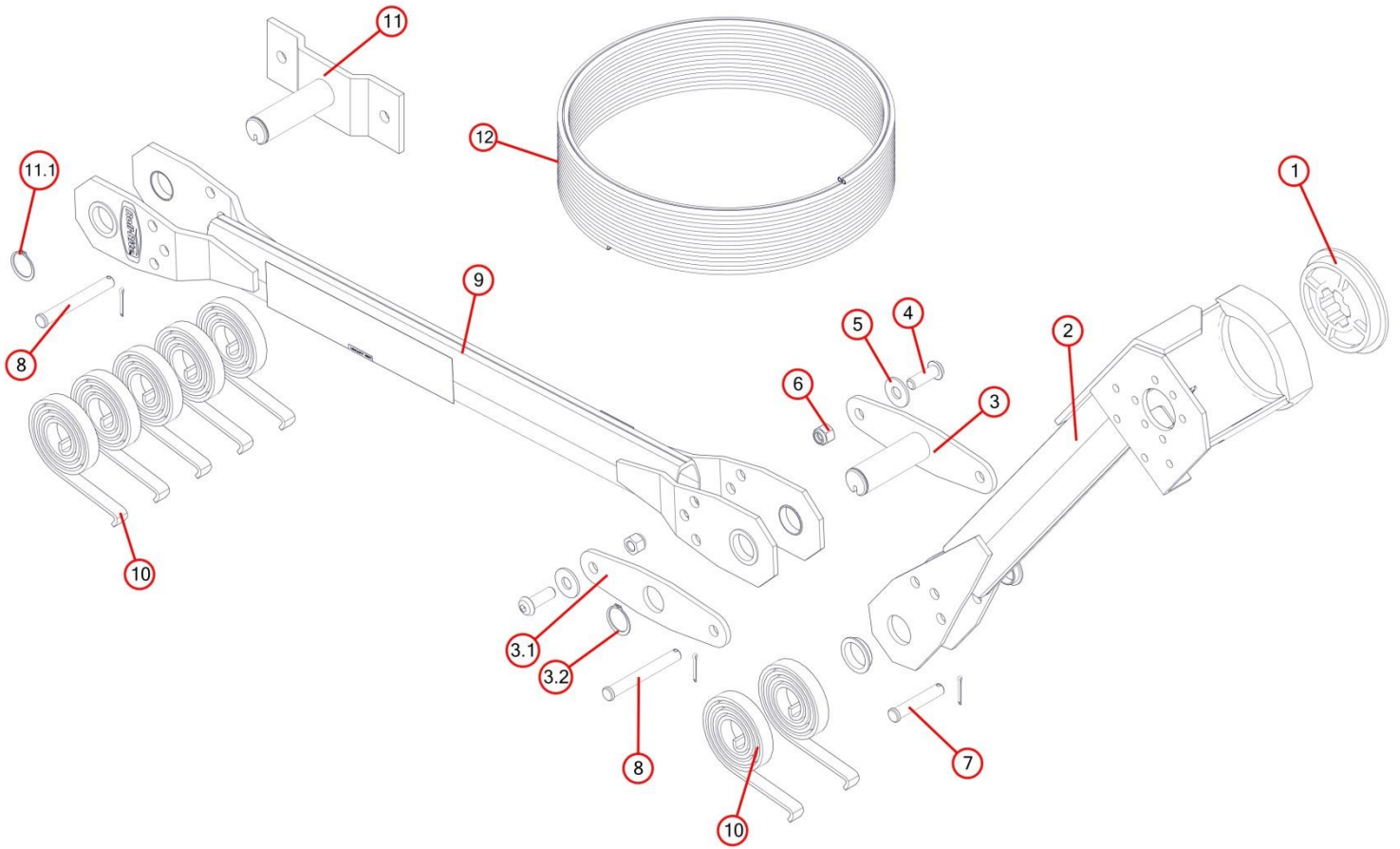
Bom ID	Part#	Description	qty
Ref	102563	Axle Kit, 3" W/Ridge Pole for 41-48' Trailers (B1-102558 & B2-102549)	1
1	102034	Axle, Front Section for 3" Axle Kit (Full Length)	1
2	102292	Axle, 3" Center Section Axle Kit (Full Length)	3
3	102271	Extrusion, 4" Ridge Pole Splice -61225 cut to 36"	3
4	61227	Extrusion, 4" Ridge Pole (144")	4
5	102282	Rod, 101815 Steel Tarp Securing Rod cut to 77" W/ Swedge	1
6	102305	Rod, 101815 Steel Tarp Securing Rod cut to 88 3/4" No Swedge	1
7	101815	Steel Tubing, 1.125Dx16 ga x 12' Rnd Galv W/Swedge on end	3
8	37830	Clip, Tarp Clip w/ hardware for Side-to-Side Axle	13
9	37510	Guard, 12" Plastic Rub -Each-	2
10	37500	Guard, 6" Plastic Rub -Each-	2
11	102033	Bungee Cap, 3" Axle Cap with Screws	1
12	102038	Hardware, Shim Kit for 3" Side to Side Axle	1
13	36730	Bracket, Tarp Stop w/Bracket for Side-to-Side System	10
14	102554	Locking Lip, 61113 3" locking lip Cut to 15 7/8" Long	9

103712 Bow, Composite Bow with Mounting Brackets



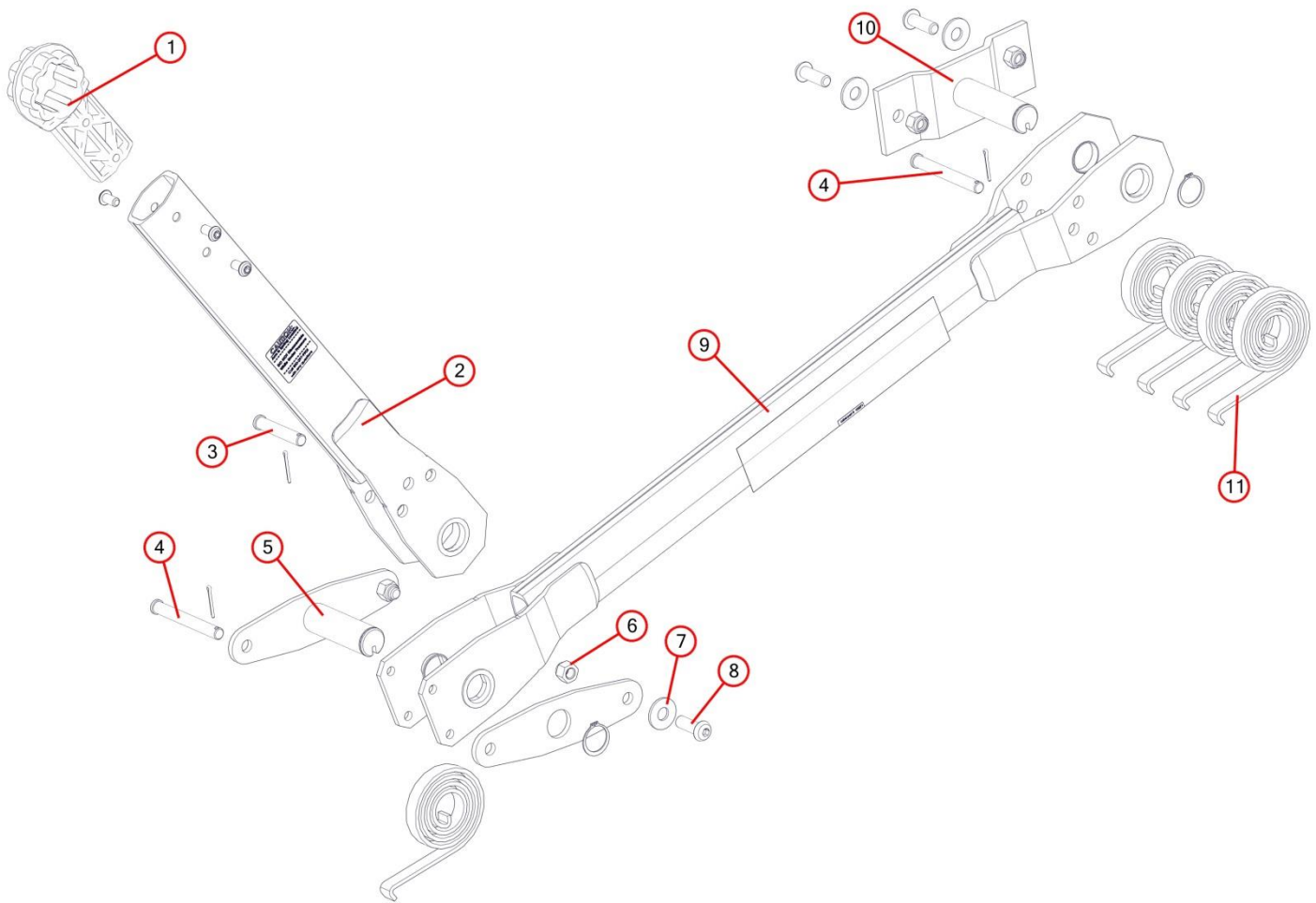
Bom ID	Part#	Description	qty
Ref	103712	Bow, Composite Bow with Mounting Brackets	1
1	103704	Bracket, Adjustable Socket Style Mount for Composite Bow	2
2	102924	Bow, Fiber Reinforced Flexible (U-Shape)	1

101267 Pivot, Assy Front Arm for 38206 Power Kits



Bom ID	Part#	Description	qty
Ref	101267	Pivot, Assy Front Arm for 38206 Power Kits	1
1	37590	Bushing, Axle Stabilizer for 3694 Conversion Adapt	1
2	48890	Pivot Tube, Long upper pvt arm for TT SS-16"-	1
3	47960	Bracket, 3 Sp Knuckle pin w/ stop plate for SS pvt, mtr end	1
3.1	47962	Plate, Knuckle Pin Plate w/o Pin (Double Ended, Al)	1
3.2	47000	Snap Ring, 1 1/4" External for Pivot Pin	1
4	18295	Bolt, 1/2" x 1 1/2" Button Head Bolt	2
5	18412	Washer, 1/2" Flat Zinc	2
6	18631	Nut, 1/2" Nylock Nut	2
7	18510	Pin, 1/2" x 2-3/4" Clevis	1
8	18560	Pin, 1/2 x 4 1/8 Special Clevis	2
9	48440	Pivot Tube, Base Arm for External Pivot Retro fit Kit on Grain Trailers	1
10	47230	Spring, Spiral Torsion Spring 1 1/4	7
11	45350	Pivot Pin, 5-Spring	1
11.1	47000	Snap Ring, 1 1/4" External for Pivot Pin	1
12	11335	Wire, 6 ga. Dual Conductor -35ft-	1

101268 Pivot, Assembled Rear Arm for 38206 Rite-Lock Power Arm Kit



Bom ID	Part#	Description	qty
Ref	101268	Pivot, Assembled Rear Arm for 38206 Rite-Lock Power Arm Kit	1
1	101742	Bushing, One Piece Rear Upper Arm Bushing (50/box)	1
2	101855	Pivot Tube, Raw Upper Tube For Dual Arm W/Bolt in upper bushing	1
3	18510	Pin, 1/2" x 2-3/4" Clevis	1
4	18560	Pin, 1/2 x 4 1/8 Special Clevis	2
5	47960	Bracket, 3 Sp Knuckle pin w/ stop plate for SS pvt, mtr end	1
6	18631	Nut, 1/2" Nylock Nut	4
7	18412	Washer, 1/2" Flat Zinc	4
8	18295	Bolt, 1/2" x 1 1/2" Button Head Bolt	4
9	48440	Pivot Tube, Base Arm for External Pivot Retro fit Kit on Grain Trailers	1
10	46350	Pivot, Assembly. 4-Spr. UB Pivot w/o Tube-passenger	1
11	47230	Spring, Spiral Torsion Spring 1 1/4	5