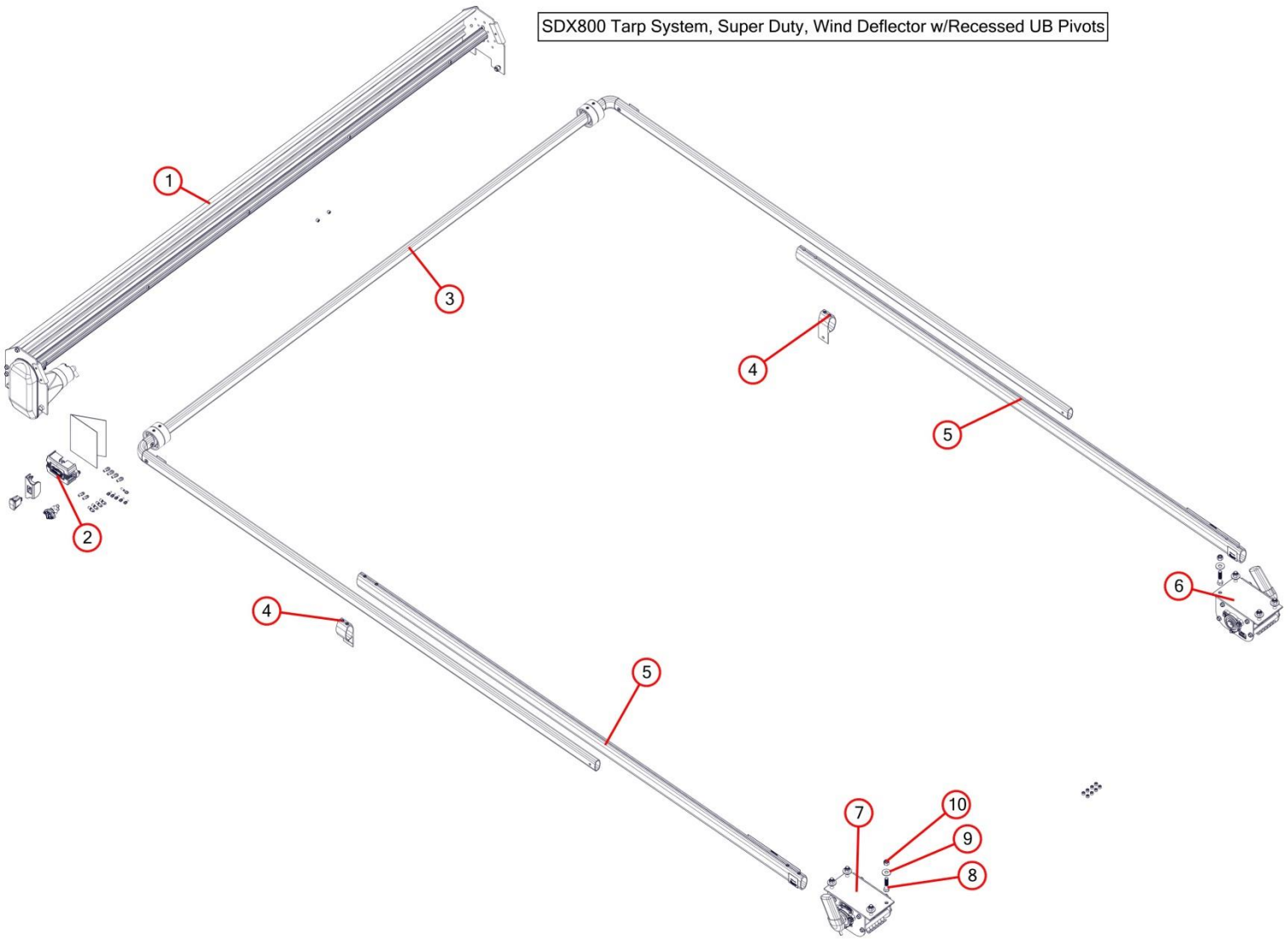
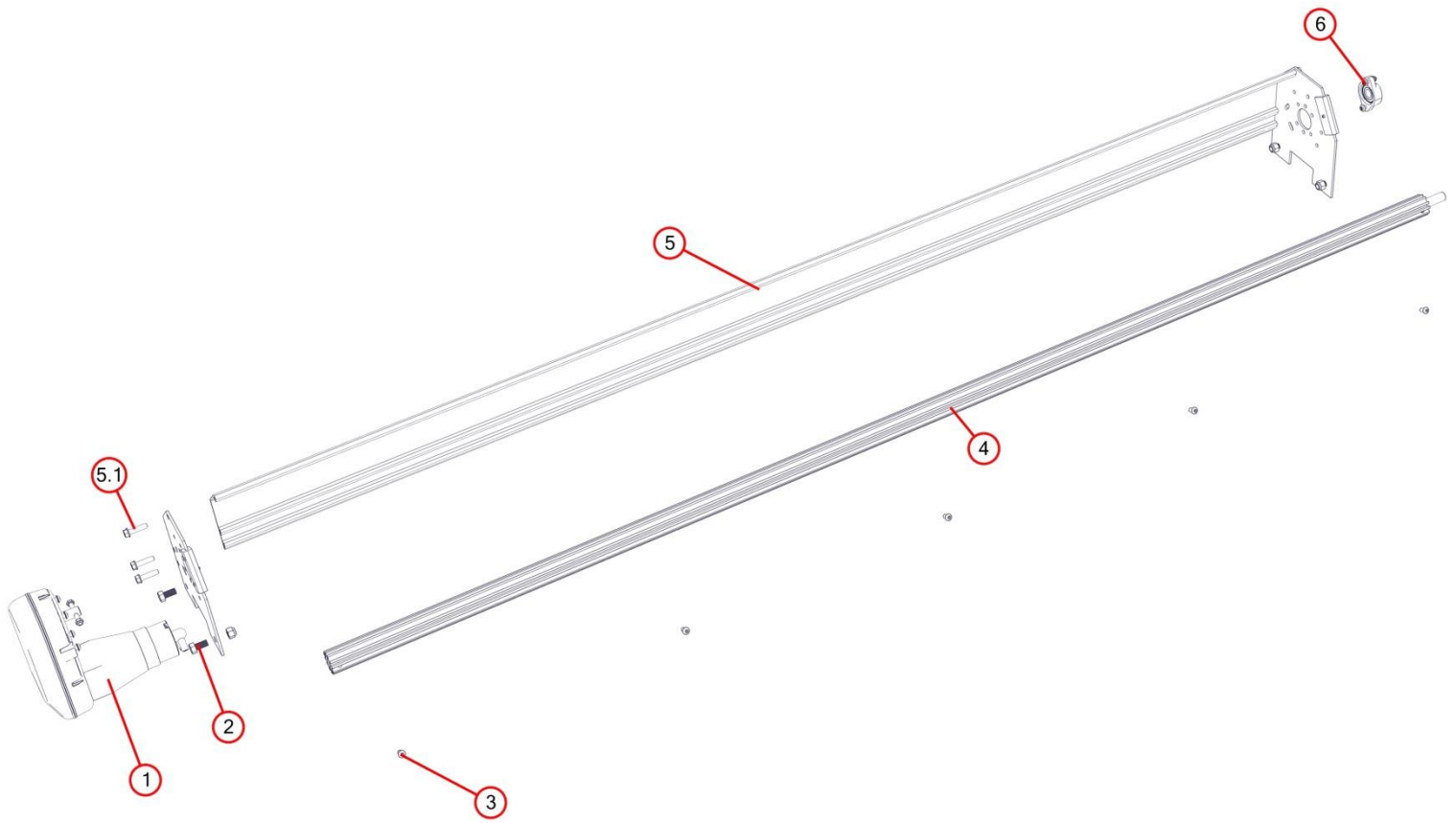


SDX800 Tarp System, Super Duty, Wind Deflector w/Recessed UB Pivots



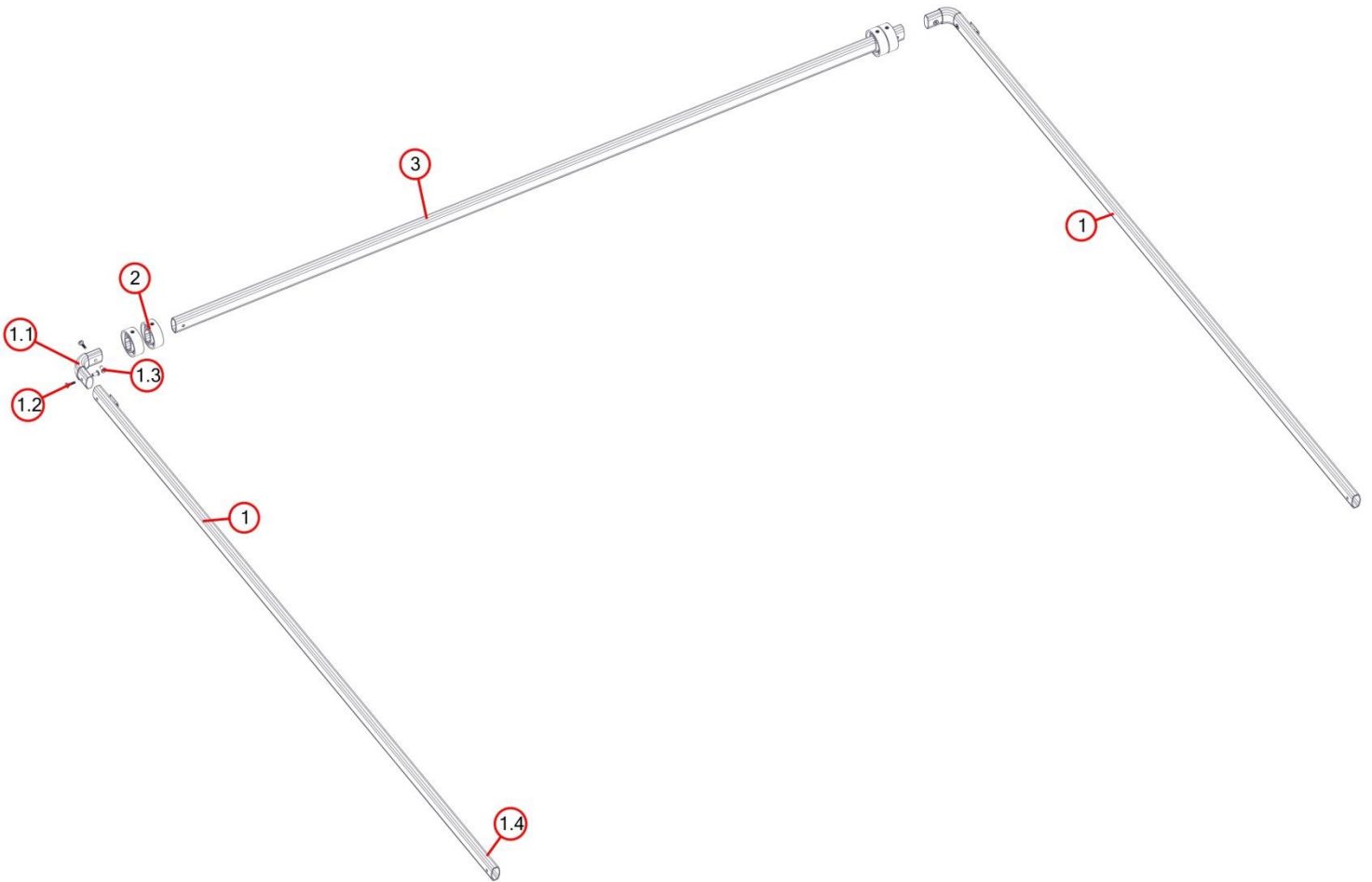
Bom ID	Part#	Description	qty
Ref	SDX800	Tarp System, Super Duty, Wind Deflector & 5 Spring Recessed UB Pivot	1
1	36490	Spool Kit, Super Duty Gear Motor w/103" Axle Spool Kit w/ WD - S/N: SD	1
2	10924	Electric Kit, With 10699 24V Relay and Rocker Switch	1
3	76720	Bow Set, 103 1/2" Wide Top Tube w/ 98" Bow Arms	1
4	76831	Bracket, Pivot Arm Tie Down	2
5	46250	Pivot Tube, AL 5UB/SR spring tube only with set screws -96"	2
6	46481	Pivot, Assembly Inverted 6-spr Top mnt pvt w/o Tube-Pass	1
7	46471	Pivot, Assembly Inverted 6-spr Top Mnt Pvt w/o tube-Driver	1
8	18739	Bolt, 1/2" x 2 1/4" Hex Head Bolt	8
9	18412	Washer, 1/2" Flat Zinc	16
10	18631	Nut, 1/2" Nylock Nut	8

36490 Spool Kit, Super Duty Gear Motor w/103" Axle Spool Kit w/ WD - S/N: SD



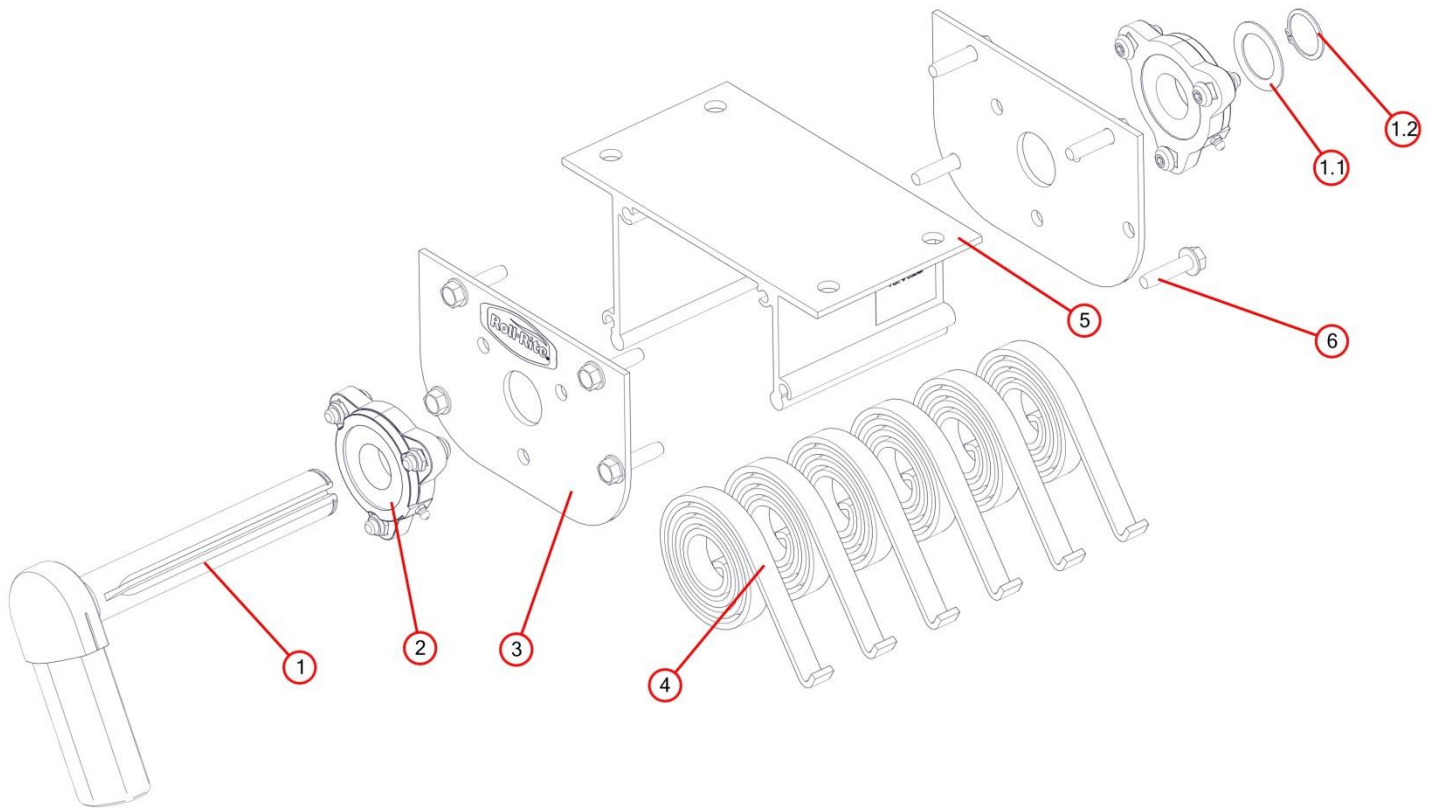
Bom ID	Part#	Description	qty
Ref	36490	Spool Kit, Super Duty Gear Motor w/103" Axle Spool Kit w/ WD - S/N: SD	1
1	10151	Gear Motor, Super Duty w/5 Year Warranty 24V - SN: SD	1
2	18294	Bolt, 1/2" x 1" Hex Head Bolt	4
3	18260	Bolt, 5/16" x 5/8" Button Head Bolt-Zinc Plated	5
4	31040	Axle, 103" Pre Thrd AL Tarp Axle w/Stub Shaft	1
5	36350	Wind Deflector, 103" Tall	1
6	18120	Bolt, 3/8" x 1-1/2" Thread Cutting Screw Hex Washer Hd	6
7	31050	Bearing, 3/4" Flanged Axle Bearing with bolts/nuts	1

76720 Bow Set, 103 1/2" Wide Top Tube w/ 98" Bow Arms



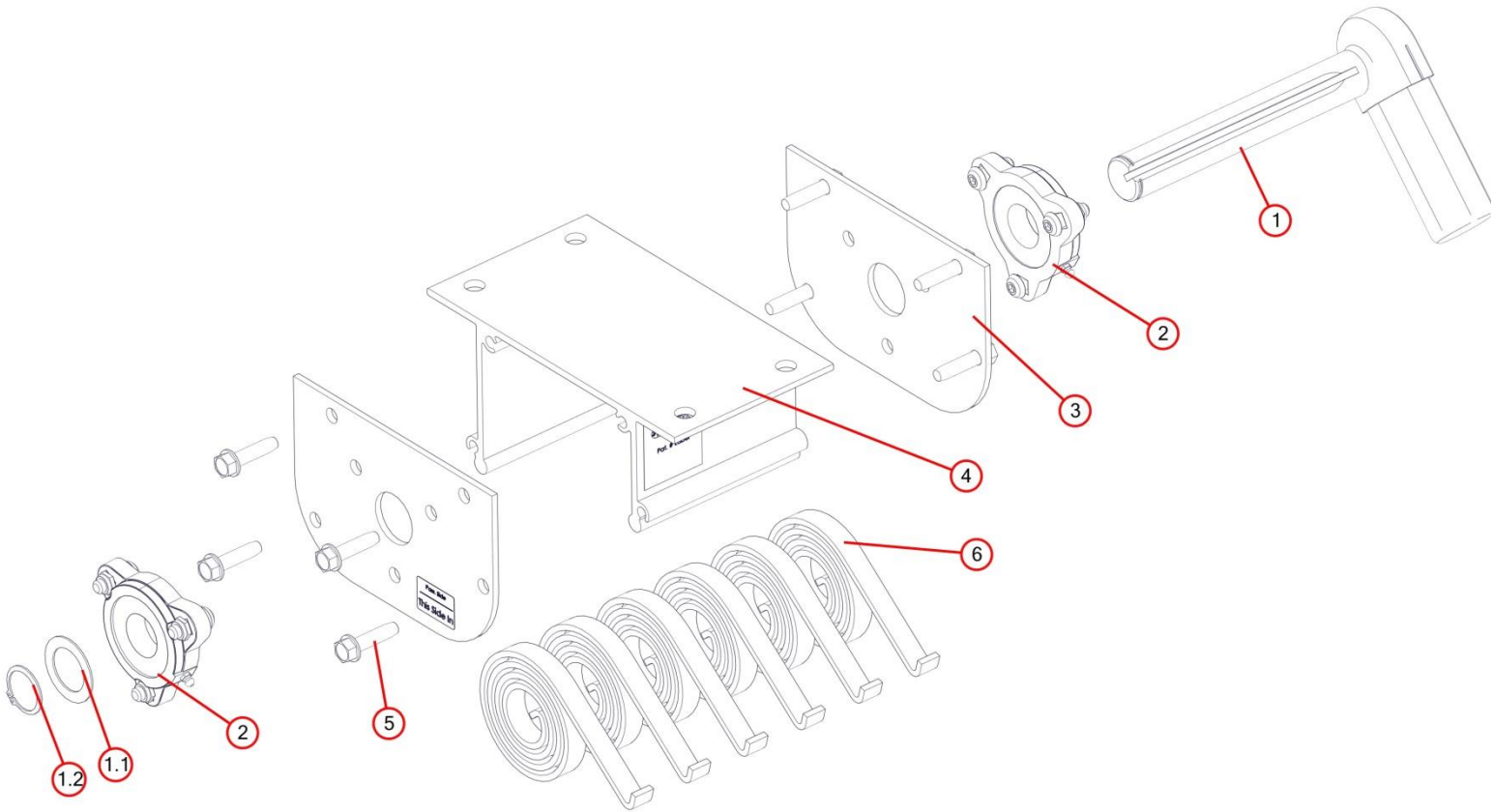
Bom ID	Part#	Description	qty
Ref	76720	Bow Set, 103 1/2" Wide Top Tube w/ 98" Bow Arms	1
1	76760	Bow Tube, 98" AL Side Arm W. 90° Corner	2
1.1	76800	Casting, Aluminum Corner - 90 Degree	2
1.2	18718	Bolt, 1/4-20 x 1 3/16 Golt Clear Zinc - Post bolt for 90 degree corners	2
1.3	18719	Nut, 1/4-20 Cap Conn Nut Clear Zinc - Post bolt for 90 degree corners	4
1.4	76770	Bow Tube, AL Top Tube for Tarp Bow 98"	4
2	76810	Flange, Tarp Flange -pair-	2
3	76870	Bow Tube, AL Wide Top Tube for Tarp Bow - 103 1/2"	1

46471 Pivot, Assembly Inverted 6-spr Top Mnt Pvt w/o tube-Left



Bom ID	Part#	Description	qty
Ref	46471	Pivot, Assembly Inverted 6-spr Top Mnt Pvt w/o tube-Driver	1
1	46360	Pivot Pin, for 5 & 6-Spring Roller Bearing - DRV	1
1.1	47010	Bushing, Pivot 1 1/4 Machinery Bushing for Pivot Pin	1
1.2	47000	Snap Ring, 1 1/4" External for Pivot Pin	1
2	47800	Bearing, Carrier Underbody Flanged	2
3	102259	Plate, Al Back for Ext Bolt Flange Mount UB Box	2
4	47230	Spring, Spiral Torsion Spring 1 1/4	6
5	102269	Bracket, Extruded Body with Holes for 8 Spring UB Box	1
6	18120	Bolt, 3/8" x 1-1/2" Thread Cutting Screw Hex Washer Hd	8

46481 Pivot, Assembly Inverted 6-spr Top mnt pvt w/o Tube-Right



Bom ID	Part#	Description	qty
Ref	46481	Pivot, Assembly Inverted 6-spr Top mnt pvt w/o Tube-Pass	1
1	46370	Pivot Pin, for 5 & 6-Spring Roller Bearing - pass	1
1.1	47010	Bushing, Pivot 1 1/4 Machinery Bushing for Pivot Pin	1
1.2	47000	Snap Ring, 1 1/4" External for Pivot Pin	1
2	47800	Bearing, Carrier Underbody Flanged	2
3	102259	Plate, Al Back for Ext Bolt Flange Mount UB Box	2
4	102269	Bracket, Extruded Body with Holes for 8 Spring UB Box	1
5	47230	Spring, Spiral Torsion Spring 1 1/4	8
6	18120	Bolt, 3/8" x 1-1/2" Thread Cutting Screw Hex Washer Hd	6